

GET EMPOWERED!



- TROUBLESHOOTING TOOLS • WIRE DIAGNOSTICS
- DOWNTIME REDUCTIONS
- EFFECTIVE FLEET MANAGEMENT



FW MURPHYTM
PRODUCTION CONTROLS

CENTURION™ C5 EMPOWERS YOU!

With Centurion C5, you have the knowledge to manage your system more effectively and ensure optimal performance. C5 revolutionizes your asset management strategy.

- ▶ **Diagnostics** – Comprehensive diagnostics offer insights to how your system is running from big problems to simple wiring issues. Reduce troubleshooting downtime with improved system feedback.
- ▶ **Communications** – Gather intelligence from the systems you want via multiple serial ports including CAN communications to take advantage of new engine ECU capabilities as well as Wi-Fi for wireless access to your information.
- ▶ **Future-proof & backward compatible** – Designed with a significant modern approach, C5 joins the Centurion family adding diagnostics, operator assistance and enhanced communications. Use this new version to update your current application controller, and it will be ready to grow when you are. Our entire Centurion lineup gives you more choice and scalability.
- ▶ **World-class qualifications** – By meeting stringent certifications and harmonized international standards, C5 is engineered to meet the high standards you expect and rely upon out in the field, wherever you do business.



- **USB Host**
- **Rugged Design**
- **J1939 / CAN Communications**
- **Wi-Fi**
- **Rod Load Calculations Std**
- **Ethernet (w/DLR)**
- **Enhanced Diagnostics**
- **More Terminals on Board
Reduce Terminals in Cabinet**
- **Non-incendive Inputs**

M-VIEW™ Displays CONTROL AT A TOUCH!



MV-5



MV-7T



MV-10T

The Centurion C5 controller with the new M-VIEW Touch Series of displays empowers you with the knowledge you need.

These bright, full-color screens offer a wealth of information. Choose from the 7-inch widescreen or 10-inch format and see how M-VIEW Touch Series transforms your application.

- ▶ **Informative design** – Easy-to-read, high resolution gauges provide a traditional look that translates at a glance while also offering detailed digital readings to fully comprehend your system.
- ▶ **Alerts and updates** – Know when action is required with visual alerts or see the health of your system with ease by looking over status indicators. Key data positioned in prime locations allows operators to quickly identify the most important information.
- ▶ **Consistent experience** – From the MV-5 to the full-color M-View Touch Series options, the same layouts make training and upgrading easy on costs and employees.
- ▶ **Unifying system** – The new M-View Touch Series allows for continued growth. Easily unify your EICS® and Centurion™ systems in one single display.

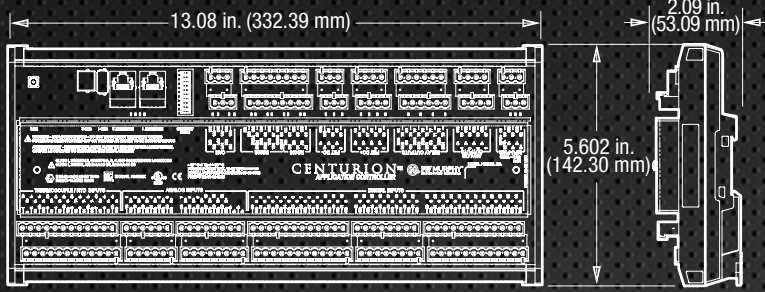
MV-5 – 320 x 240 pixels, graphical LCD display

MV-7T – 7-inch widescreen touch 800 x 480 pixels, sunlight readable

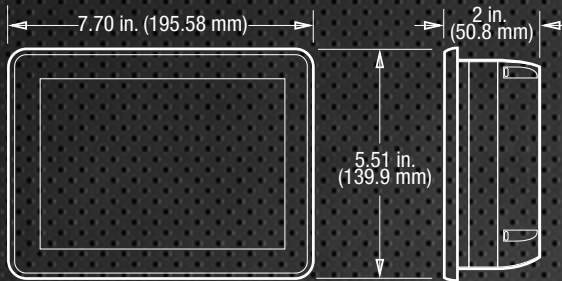
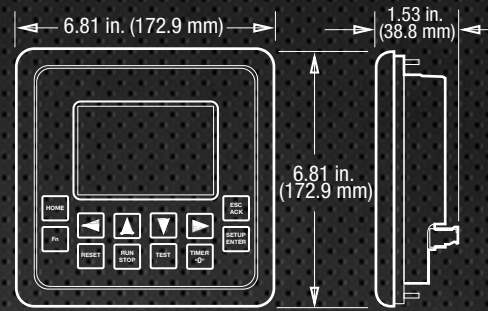
MV-10T – 10.4-inch touch 640 x 480 pixels, sunlight readable

DIMENSIONS (Approximate, not intended for installation)

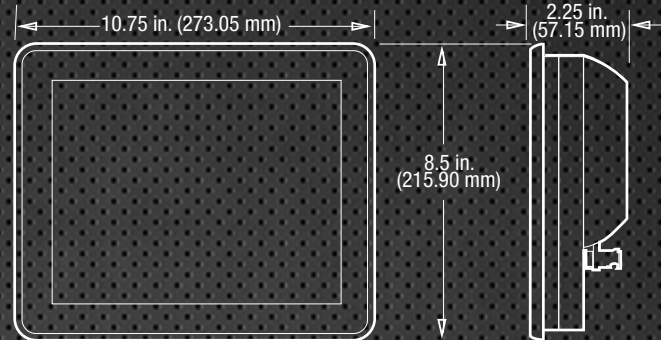
C5



MV-5



MV-7T



MV-10T



FW MURPHY™
PRODUCTION CONTROLS

FW MURPHY PRODUCTION CONTROLS

SALES, SERVICES & ACCOUNTING
4646 S. HARVARD AVE.
TULSA, OK 74135

CONTROL SYSTEMS & SERVICES
105 RANDON DYER ROAD
ROSENBERG, TX 77471

MANUFACTURING
5757 FARINON DRIVE
SAN ANTONIO, TX 78249

DOMESTIC SALES & SUPPORT

FW MURPHY PRODUCTS
PHONE: 918 957 1000
EMAIL: INFO@FWMURPHY.COM
WWW.FWMURPHY.COM

FW MURPHY CONTROL SYSTEMS & SERVICES
PHONE: 281 633 4500
EMAIL: CSS-SOLUTIONS@FWMURPHY.COM

INTERNATIONAL SALES & SUPPORT

CHINA
PHONE: +86 571 8788 6060
EMAIL: INTERNATIONAL@FWMURPHY.COM

LATIN AMERICA & CARIBBEAN
PHONE: +1 918 957 1000
EMAIL: INTERNATIONAL@FWMURPHY.COM

SOUTH KOREA
PHONE: +82 70 7951 4100
EMAIL: INTERNATIONAL@FWMURPHY.COM



FM 668576 (San Antonio, TX - USA)
FM 668933 (Rosenberg, TX - USA)



FM 523851 (China) TS 589322 (China)